

CFP 80 Low Profile **Dry Chemical Fire Suppression System Unit Specifications:**

Suppressing Agent: CF-33 ABC Dry Chemical Blend

Maximum Total Flood Volume: 4'x 4'x 5' = 80 Cu. Ft.
1.22m x 1.22m x 1.52m = 2.67 Cubic Meters

Reach Coverage Area: 4'x 4' = 16 Sq. Ft.
1.22m x 1.22m = 1.49 Square Meters

Temperature Rating/Validation: - 20°F to 120°F / -29°C to 49°C

Cylinder: Worthington / Small DDI

Diameter: 3.5" / 8.90cm

Height: 10.5" + 3.5" Coupling Assembly / 26.67cm + 8.90cm

Capacity: 1.7 lbs / .77 kg

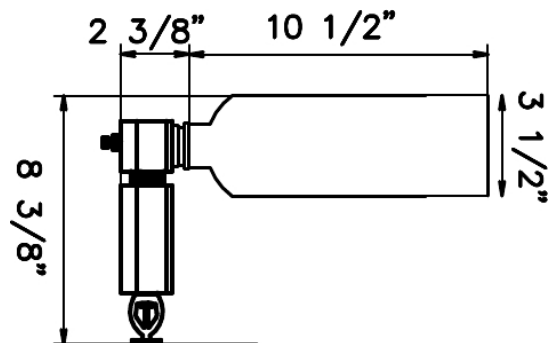
Unit Weight: 5.15 lbs / 2.34 kg

Ship Weight: 10.2 lbs / 4.64 kg

Operating Pressure: 175 psi / 1207 kPa

Propellant: High Purity Compressed Dry Nitrogen

Standard System Activation: 155° Fahrenheit /
68.3° Celsius



Designed and Tested by Cease Fire[®] in Accordance with NFPA-17 and UL-1254