

CFP 640 Dry Chemical Suppression System Unit Specifications:

Suppressing Agent: CF-33 ABC Dry Chemical Blend

Maximum Total Flood Volume: 8'x 8'x 10' = 640 Cu. Ft.
2.44m x 2.44m x 3.05m = 18.16 Cubic Meters

Reach Coverage Area: 8'x 8' = 64 Sq. Ft.
2.44m x 2.44m = 5.95 Square Meters

Temperature Rating/Validation: -20°F to 120°F / -29°C to 49°C

Cylinder: Worthington Cylinder

Diameter: 7.50" / 19.05cm

Height: 11.38" + 3.50" Coupling Assembly / 29cm + 8.90cm

Capacity: 7 lbs / 3.18 kg

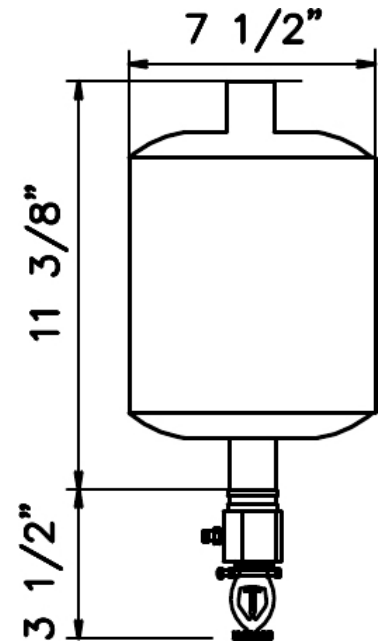
Unit Weight: 19 lbs / 8.62 kg

Ship Weight: 24 lbs / 10.89 kg

Operating Pressure: 175 psi / 1207 kPa

Propellant: High Purity Compressed Dry Nitrogen

Standard System Activation: 155° Fahrenheit / 68.3° Celsius



Designed and Tested by Cease Fire[®] in Accordance with NFPA-17 and UL-1254