



Cease Fire LLC
9321 NE 72nd Ave Ste 12
Vancouver, WA 98665
t: 360-567-0990
f: 360-567-1242
tf: 888-CEASEFIRE (232-7334)
i: www.ceasefire.com

MIK Manual Initiation Kit

OWNER'S MANUAL & INSTALLATION INSTRUCTIONS

Issue Date: 03/19/2016

Revision Date: 07/16/2018

Revision: 0.3

Manual Initiation Kit Guide Specifications

Description: The Cease Fire® Manual Initiation Kit or MIK series offers a battery operated means of initiation for Cease Fire® units in a total flood system or local application system. All of the metal is completely coated to inhibit corrosion and provide a uniform and quality finish. All models have a hex key reset on the main body of the agent release pull.

Operation: The Cease Fire® MIK requires lifting of the front cover labeled “Agent Release Lift & Pull” and then pulling the white operating handle straight down. The unit is reset by opening the front and placing the handle in the normal position. All MIK systems have a single fire battery pack that must be replaced after each use by Cease Fire®.

Wiring Assistance: Systems 16 units or less may be wired in series or parallel. Systems 17+ must be wired in parallel.

Specifications:

Manufactured Specifications MIK:	33 VDC / 3 Amp Hour
MIK Dimensions:	8 5/8” L x 6” W x 3” H
Color:	Red with white lettering on the pull handle, white pull bar with raised red letters.
Battery Life:	10 years from date of manufacture / Cease Fire® recommends replacement every 6 years
Recommended Wire Gauge:	14 AWG
Temperature Range:	-4°F to 130°F

Minimum Voltage Required

Voltage Required for MIK 6:

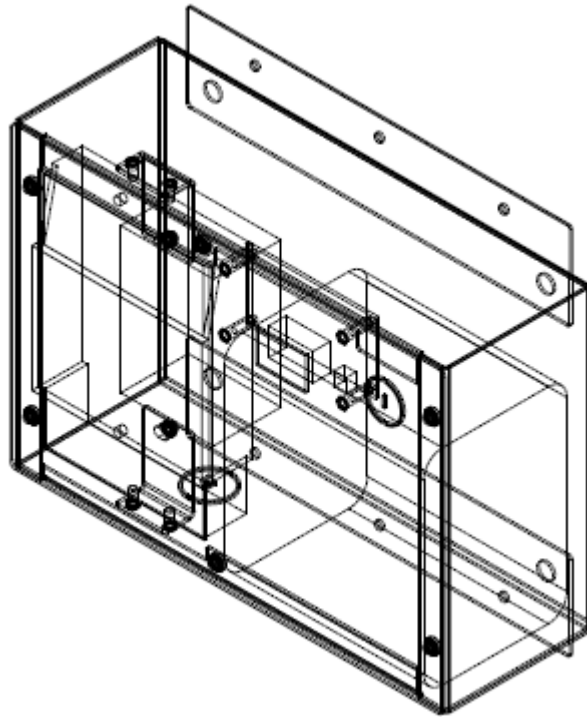
Number of Actuators in Series	Voltage Required
1	1.5 Volts
2	3.0 Volts
3	4.5 Volts
4	6.0 Volts
5	7.5 Volts
6	9.0 Volts

Voltage Required for MIK 12:

Number of Actuators in Series	Voltage Required
7	10.5 Volts
8	12.0 Volts
9	13.5 Volts
10	15.0 Volts
11	16.5 Volts
12	18.0 Volts

For MIK units in excess of 12 actuators use the formula below to calculate voltage required:

$$VR = (\#A \times 1.5V) \quad VR = \text{Voltage Required} \quad \#A = \text{Number of Actuators} \quad V = \text{Voltage}$$



INSPECTION, MAINTENANCE, AND REMANUFACTURING

All Cease Fire® MIK Systems are to be inspected and maintained in accordance with this manual.

INSPECTION

Cease Fire® recommends that a “quick check” be performed monthly, following the procedures outlined below. Minimal technical knowledge is required to perform this inspection. Follow inspection steps of monthly quick check contained within the units Owner’s Manual. Use an Ohms meter using no more than 0.01Amps to verify continuity in the Actuators. Voltage of the battery pack should be checked at least semi-annually to verify that the Voltage is at or above the minimum operating specifications stated in this document on page 2. Voltage is easily checked by depressing the push button on the top right face of the MIK. When depressing the voltage push button the voltage read out will display the batteries current voltage. Cross reference the displayed voltage with the voltage required for your system with the chart on the label or on page 3 of this manual.

INSPECTION STEPS:

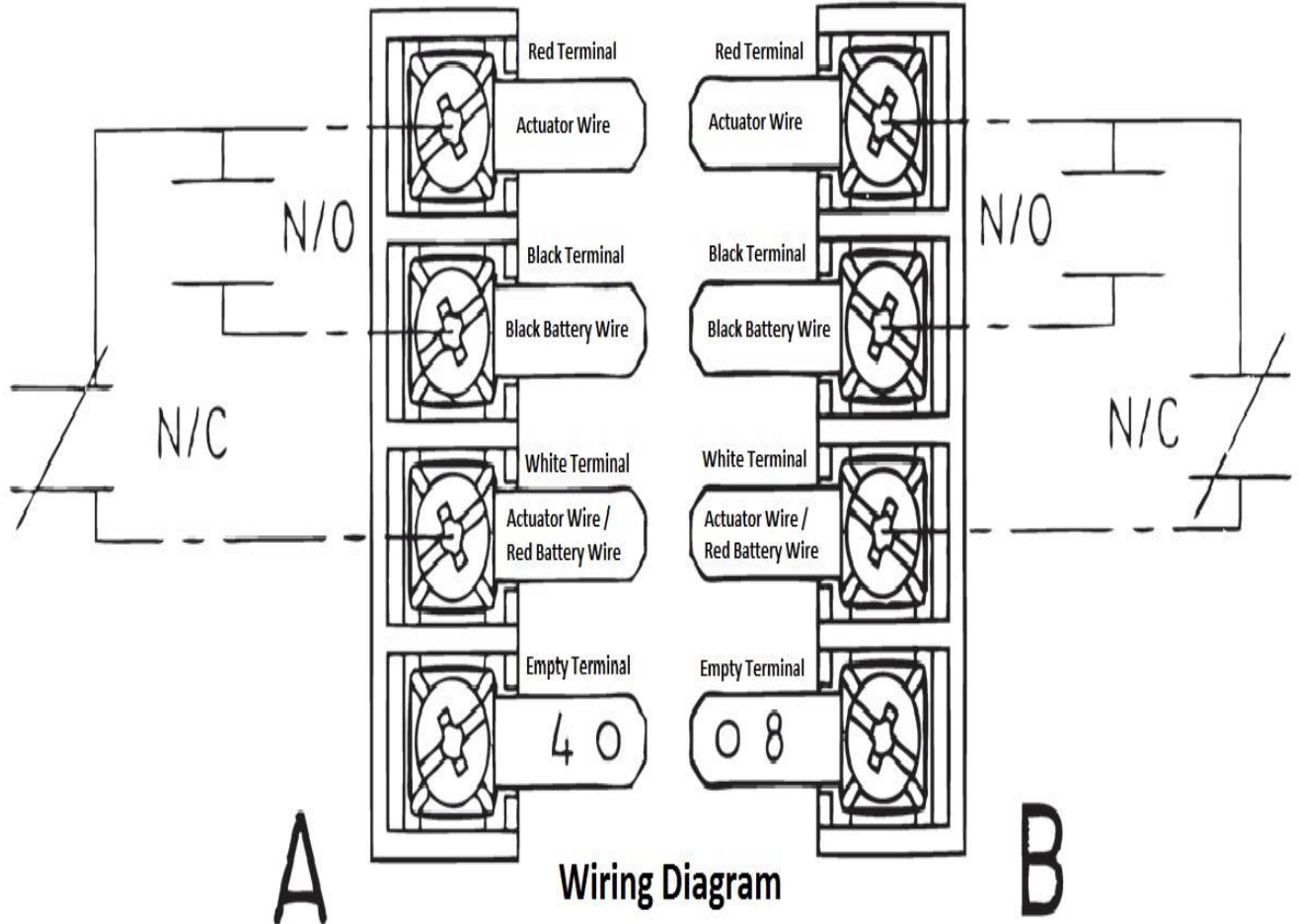
1. The MIK is in its proper location.
2. Label is clean and intact.
3. No obvious physical damage or conditions exist that may prevent operations.
4. If any deficiencies are found, corrective action shall be taken immediately.
5. Personnel making inspections shall keep records for those systems found to need corrective actions. The report shall be filed with the owner, or designated responsible party.

MAINTENANCE

Cease Fire® requires that semi-annual maintenance be conducted in accordance with this manual by a trained person who has undergone the instructions necessary, or, as required, licensed to reliably perform maintenance. The maintenance shall consist of:

1. Check to see that the hazard has not changed.
2. Examine the MIK, checking to see that nothing has been disconnected and that the handle is still in the unfired position.
3. If an examination of the enclosure reveals corrosion or pitting, the MIK should be replaced or returned to the factory for testing.
4. The voltage should be checked by depressing the push button. Cross reference the voltage shown with the number of units connected to the diagram printed on the front face plate of the MIK or on page 2 of this manual.
5. The maintenance report noting an inspector’s initials and license number, with recommendations noted if any, shall be filed with the owner, or with the designated responsible party.

Battery Replacement Wiring Instructions



Wiring Diagram

Model 6T

DPST N/O- N/C -COM

WARRANTY

1-Year Limited Warranty

This Manual Initiation Kit is warranted to the original owner to be free of defects in factory workmanship and material, to the extent as noted within this manual that remanufacturing is required, for a period of one (1) year from date of manufacture, provided that it has not been misused, damaged, or initiated.

The foregoing warranty is expressly in lieu of any other warranties, expressed or implied, including, but not limited to, warranties of merchantability or fitness for a particular purpose. Cease Fire® shall not be responsible for any incidental, contingent, or consequential charges or damages.

“What To Do In A Fire Emergency”

If a fire breaks out:

1. ***Warn Everyone!*** Make certain everyone is clear of the area immediately and remains safely outside.
2. Call the Fire Department ***regardless*** of how small the fire seems to be. Post emergency phone numbers by each telephone.
3. ***Important!*** Locate an exit so you can escape in case the fire should get out of control. Keep low to avoid breathing in smoke and heated fumes that can be fatal.

TYPES OF FIRE CLASSIFICATIONS

Per NFPA Standards:

Class Fires - Class A fires occur in ordinary combustible materials, such as; wood, cloth, paper, rubber, and many plastics.

Class B Fires – Class B fires involve flammable liquids, paints, and lacquers.

Class C Fires – Class C fires involve energized electrical equipment where the non-conductivity of the extinguishing media is of importance.

Revision Records

Old Revision Number	New Revision Number	Section Number/Page Revised	Description of Revision	Revised by	Date
0.3	0.4	Page 1/2/3/4/6	Updated for MIK V2.0	Cody Kitterman	7/16/2018
0.4	0.4	Page 1	Updated Address	Cody Kitterman	9/10/2020